

PARTS CATALOG

T4.95F
Special Tractor
Tier III

Print No. 69601332IPC
4/2016



PARTS CATALOG

T4.95F
Special Tractor
Tier III

Print No. 69601332IPC
4/2016



NEW HOLLAND

AGRICULTURE

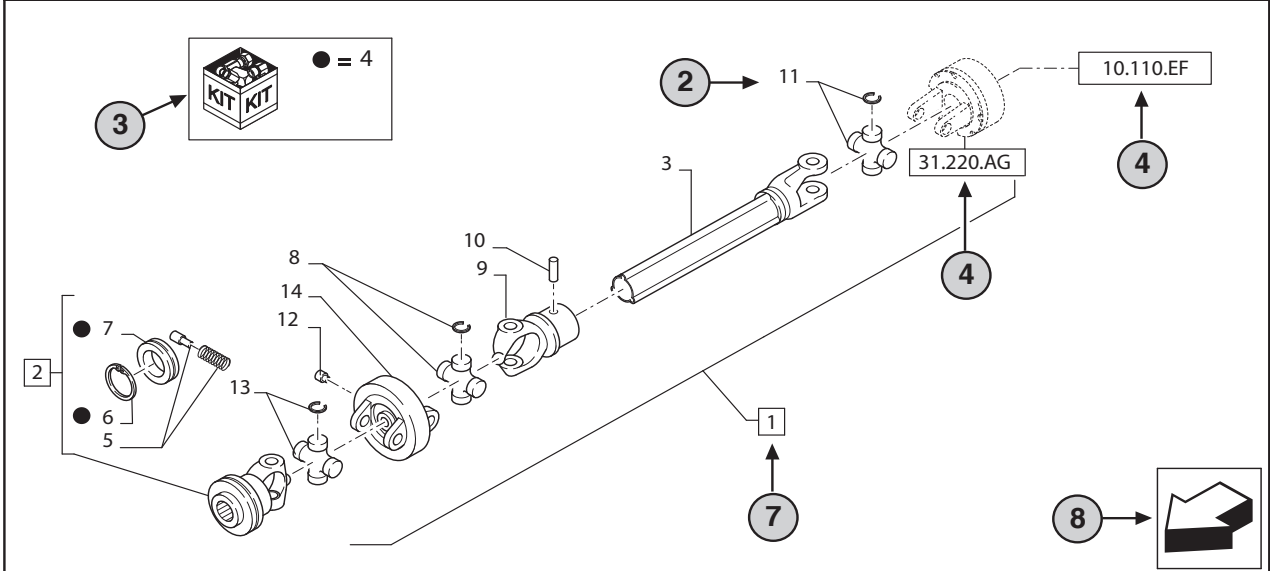
All rights reserved by **CNHi**.

The information contained in this catalogue is intended to be of a general nature only. **CNHi** may at any time and from time to time, for technical or other necessary reasons, modify any of the details or specifications of the product described in this catalogue.

To be sure of getting accurate, detailed and up-to-date information, an intending buyer should consult his nearest **CNHi** dealer or distributor.

Single item numeration method used in this catalogue may not be used without written consent from **CNHi**.

VAR - 123782, 789101,987654 - PTO - D650



STANDARD ← (6)

VAR - 123782, 789101,987654 - PTO - D650

(11) (12) (13) (14)

REF	FN	PART NUMBER	YR/SN	QTY	DESCRIPTION
1	1	86529340	(20)	1	SHAFT PTO, Incl 2 - 11
2	(15)	84014007		1	YOKE, Incl 4 -7 ← (7)
3	(16)	NSS		1	NOT SERVICED SEPARATELY, SHAFT, 350mm, Incl in 1
4		84004292		1	KIT, Seal Kit, Incl 6, 7 (17)
4		{84058743}		1	KIT, Seal Kit, Incl 6, 7
(2)	(18)	(19)	(21)	(22)	
		1 = FOR ITALY ONLY ← (5)			

MODELS ← (1)


- 1 Model Number and Model Description
- 2 Reference - Figure call-out of the part number.
- 3 Parts supplied in repair kits per symbol reference.
- 4 31.220.AD Part illustrated on the **Page** or in the **Figure** indicated, or calls for **Variations** or **Details**. Indicates components shown in detail elsewhere in the catalogue under the figure number shown.
- 5 Footnote references
- 6 Figure notes
- 7 1 2 Includes item(s) (See Description within partlist).
- 8 Orientation. (Arrow indicates front of the machine). 
- 9 Figure description.
- 10 General information of the figure.
- 11 Figure title number that aligns with the SRT. Standard Repair Time.
- 12 **Sequence** code within the assembly.
- 13 Page number within the sequence code.
- 14 **Date** of printing or updating of page (month-year).
- 15 **Note** - Relating to the Part Number. There is a key to symbols and abbreviations at the bottom of the text page.
- 16 Non-serviced parts.
- 17 Further description of the part to help confirm identification.
- 18 Not available as service part.
- 19 Part Number.
- 20 To be defined.
- 21 Total **Quantity** of the Part referred to in the page.
The quantity can be replaced by the following indications:
AR = quantity as requested.
- 22 Part **Description**.
- 23 Variant Codes

TABLE OF CONTENTS

SEC. 01		ENGINE
0.0040		OPTIONAL EQUIPMENT
0.0040/01		OPTIONAL EQUIPMENT
0.0040/02		OPTIONAL EQUIPMENT
0.0040/03		OPTIONAL EQUIPMENT
0.0042		SERVICE PARTS CATALOGUE AND BINDER
0.01.1	01	INITIAL STOCKING LIST (ISL) FOR N.A. ONLY
0.01.1	02	INITIAL STOCKING LIST (LIST A)
0.01.5		FILTERS
0.05.4	01	MAINTENANCE PARTS - FILTERS
0.05.4	02	MAINTENANCE PARTS - STARTER MOTOR, ALTERNATOR, BELTS
0.05.4	03	MAINTENANCE PARTS - FUSES
0.05.4	04	MAINTENANCE PARTS - BULBS
0.05.4	04	MAINTENANCE PARTS - BULBS
0.05.4	05	MAINTENANCE PARTS - PUMPS
D.I.A.		DEALER INSTALLED ACCESSORY KITS INDEX
MAIN		MAIN SECTIONS
SEC. 01	01	ENGINE
SEC. 01	02	ENGINE
SEC. 02		ENGINE EQUIPMENT
SEC. 03		TRANSMISSION
SEC. 04		FRONT AXLE
SEC. 05		REAR AXLE
SEC. 06		ELECTRICAL
SEC. 07		HYDRAULICS
SEC. 08		SHEET METAL
SEC. 09		LINKAGE
SEC. 10	01	DRIVER'S COMPARTMENT
SEC. 10	02	DRIVER'S COMPARTMENT
SEC. 11	01	TRACTION
SEC. 11	02	TRACTION
SEC. 13		DECALS
0.02.1/02		ENGINE
0.04.0/01		CYLINDER BLOCK & RELATED PARTS

TABLE OF CONTENTS

0.04.2/02		ENGINE OIL PAN
0.04.3/01		CRANKCASE COVERS
0.04.5/01		ENGINE - BREATHER
0.06.0/01		CYLINDER HEAD
0.06.3/01		CYLINDER HEAD - VALVE COVER
0.06.6/01		ROCKSHAFT
0.07.1/01		INLET MANIFOLD
0.07.7/01		EXHAUST MANIFOLD
0.08.0/01		CRANKSHAFT
0.08.1/01		CONNECTING ROD
0.08.2/01		ENGINE - PISTON
0.08.3/01		FLYWHEEL
0.08.4/01		CRANKSHAFT PULLEY
0.10.5/01	01	DYNAMIC BALANCER, GEARS & SHAFTS
0.10.5/01	02	DYNAMIC BALANCER, GEARS & SHAFTS
0.12.0/01		CAMSHAFT - TIMING CONTROL
0.14.0/02	01	INJECTION PUMP
0.14.0/02	02	INJECTION EQUIPMENT - INJECTOR
0.14.2		INJECTION PUMP DRIVE
0.14.6/02		INJECTION EQUIPMENT - PIPING
0.14.9/02		INJECTION EQUIPMENT - PIPING
0.20.0/01		FUEL FILTER
0.20.1/01		FUEL PUMP
0.20.3/02		PIPING - FUEL
0.20.4/02		INJECTION EQUIPMENT - PIPING
0.24.0/01		TURBOCHARGER
0.27.0/01		ENGINE OIL DIPSTICK
0.27.2		MOTOR SENSORS
0.30.0/01		OIL PUMP - ENGINE
0.30.2/01		ENGINE OIL FILTER
0.30.5/02		PIPING - ENGINE OIL
0.31.5		HEAT EXCHANGER - ENGINE
0.32.0/01		WATER PUMP
0.32.3/01		PIPING - ENGINE COOLING SYSTEM

TABLE OF CONTENTS

0.32.6/01		THERMOSTAT - ENGINE COOLING SYSTEM
0.34.0		WATER PUMP DRIVE
0.34.5		FAN DRIVE
0.34.7		PULLEY, FAN AND BELT
0.34.7/01		FAN WITH VISCOSTATIC JOINT (VAR.330009-330010 / 743500)
0.35.0/01		POWER TAKE OFF
0.36.0/01		STARTER MOTOR
0.40.0/01		ENGINE ALTERNATOR
0.45.0/01		HOOKS - ENGINE
0.88.0/01	01	AIR CONDITIONING - BELTS AND COMPRESSOR (VAR.330641 / 743539; VAR.332641 / 743540)
0.88.0/01	02	AIR CONDITIONING - PIPES AND RELATED PARTS (VAR.330641 / 743539; VAR.332641 / 743540)
0.88.0/01	03	AIR CONDITIONING - FILTER AND PIPES (VAR.330641 / 743539; VAR.332641 / 743540)
0.88.0/02	01	AIR CONDITIONING WITH SAFETY VALVE - BELTS AND COMPRESSOR (VAR.331641 / 743539; VAR.333641 / 743540)
0.88.0/02	02	AIR CONDITIONING WITH SAFETY VALVE - PIPES AND RELATED PARTS (VAR.331641 / 743539; VAR.333641 / 743540)
0.88.0/02	03	AIR CONDITIONING WITH SAFETY VALVE - FILTER AND PIPES (VAR.331641 / 743539; VAR.333641 / 743540)
0.88.0/05	01	KIT CLIMATE CONTROL FOR ROPS - BELTS AND COMPRESSOR (VAR.330633)
0.88.0/05	02	KIT CLIMATE CONTROL FOR ROPS - PIPES AND RELATED PARTS (VAR.330633)
1.10.0		THROTTLE CONTROL LINKAGE
1.14.0	01	FRONT FUEL TANK AND PIPES
1.14.0	02	SIDE FUEL TANK
1.14.0	03	FUEL LINES
1.14.0	04	FUEL LINES
1.14.0/01	01	SMALL FUEL TANK - SIDE FUEL TANK (VAR.331143-333143 / 743501)
1.14.0/01	03	SMALL FUEL TANK - FUEL LINES (VAR.331143-333143 / 743501)
1.14.7	01	SIDE FUEL TANK SUPPORTS AND FASTENING STRIPS
1.14.7/01		SMALL FUEL TANK - SIDE FUEL TANK SUPPORTS AND FASTENING STRIPS (VAR.331143-333143 / 743501)
1.15.1/01		HORIZONTAL EXHAUST AND SILENCER
1.15.1/03		VERTICAL EXHAUST (VAR.330151)
1.15.1/05		VERTICAL EXHAUST WITH GUARD (VAR.331151)
1.15.1/07		HORIZONTAL EXHAUST WITH GUARD SHIELD (VAR.332150)
1.17.0/01	01	COOLING TANK AND RELATED PARTS
1.17.0/01	02	RADIATOR AND PIPES
1.17.0/01	03	RADIATOR PROTECTIVE SEALS AND CONVEYOR

TABLE OF CONTENTS

1.17.0/02		AIR CONDITIONING UNIT - CONDENSER (VAR.330641-331641 / 743539; VAR.332641-333641 / 743540)
1.17.0/03		KIT CLIMATE CONTROL FOR ROPS - CONDENSER (VAR.330633)
1.19.1/ A		DRY AIR CLEANER - BREAKDOWN
1.19.1/01	01	INTERCOOLER AND RELATED PARTS
1.19.1/01	02	INTERCOOLER HOSES
1.19.1/01	03	DRY AIR CLEANER & RELATED PARTS
1.21.0	01	CLUTCH BOX AND REAR TRANSMISSION BOX
1.21.0	02	LOWER COVER AND SIDE COVERS FOR REAR TRANSMISSION BOX
1.21.0	03	REAR TRANSMISSION BOX CAPS AND COVERS
1.21.1	01	SUPERSTEER FRONT AXLE - SUPPORT
1.21.1	02	SUPERSTEER FRONT AXLE - CONNECTING JOINT TO MAIN TRANSMISSION SHAFT
1.21.1	03	SUPERSTEER FRONT AXLE - FRONT 4WD AXLE BOOM - C7213
1.21.1	03A	SUPERSTEER FRONT AXLE - FRONT 4WD AXLE BOOM - D7213
1.21.1	04	SUPERSTEER FRONT AXLE - TRANSVERSAL TIE-RODS
1.21.1/01		2WD FRONT AXLE - AXLE FASTENING FRONT SUPPORT (VAR.331581-332581 / 743515)
1.25.0/01		CLUTCH
1.25.0/02		POWER SHUTTLE - CLUTCH (VAR.330275-331275 / 743510; VAR.330278-332278 / 743509 ; VAR.330273)
1.26.2	01	CLUTCH CONTROLS, CLUTCH FORK
1.26.2	02	CLUTCH CONTROLS, FLEXIBLE CONTROL
1.26.5		POWER TAKE-OFF CLUTCH CONTROL, CLUTCH FORK
1.27.3	01	4WD SUPERSTEER FRONT AXLE FOR HYDRAULIC TRANSMISSION - COVER AND CAPS (VAR.331281-332281)
1.27.3	02	4WD SUPERSTEER FRONT AXLE FOR HYDRAULIC TRANSMISSION - SOLENOID VALVES (VAR.331281-332281)
1.27.3	03	4WD SUPERSTEER FRONT AXLE FOR HYDRAULIC TRANSMISSION - PIPES (VAR.331281-332281)
1.27.3	04	4WD SUPERSTEER FRONT AXLE FOR HYDRAULIC TRANSMISSION - UNIONS AND PIPES (VAR.331281-332281)
1.27.3/ A		ACCUMULATOR - BREAKDOWN
1.27.3/01	01	2WD STANDARD FRONT AXLE FOR HI-LO AND POWER SHUTTLE 32X16 - COVER AND CAPS (VAR.338401 / 743514)
1.27.3/01	02	2WD STANDARD FRONT AXLE FOR HI-LO AND POWER SHUTTLE 32X16 - SOLENOID VALVES (VAR.338401 / 743514)
1.27.3/01	03	2WD STANDARD FRONT AXLE FOR HI-LO AND POWER SHUTTLE 32X16 - PIPES (VAR.338401 / 743514)
1.27.3/01	04	2WD STANDARD FRONT AXLE FOR HI-LO AND POWER SHUTTLE 32X16 - UNIONS AND PIPES (VAR.338401 / 743514)
1.27.7/01	01	PUMP AND OIL COOLER - RADIATOR (VAR.335823-336823 / 743524; VAR.334823)
1.27.7/01	02	PUMP AND OIL COOLER - PIPES (VAR.335823-336823 / 743524; VAR.334823)
1.28.1	01	16X16 TRANSMISSION - DRIVE SHAFT AND GEARS

TABLE OF CONTENTS

1.28.1	02	16X16 TRANSMISSION - DRIVE SHAFT AND GEARS
1.28.1	03	16X16 TRANSMISSION - DRIVE GEAR SHAFT
1.28.1	04	16X16 TRANSMISSION - REVERSER DRIVEN GEARS
1.28.1	05	16X16 TRANSMISSION - DRIVEN GEAR SHAFT
1.28.1/01	01	16X16 HYDR. TRANSMISSION WITH SYNCHRO GEARS AND POWER SHUTTLE - GEAR SHAFT (VAR.330278-332278 / 743509)
1.28.1/01	02	16X16 HYDR. TRANSMISS. WITH SYNCHRO GEARS AND POWER SHUTTLE - DRIVING GEAR SHAFT (VAR.330278-332278 / 743509)
1.28.1/01	03	16X16 HYDRAULIC TRANSM. WITH SYNCHRO GEARS AND POWER SHUTTLE - REVERSER GEAR (VAR.330278-332278 / 743509)
1.28.1/01	04	16X16 HYDR. TRANSM. WITH SYNCHRO GEARS AND POWER SHUTTLE - GEARS, 1,2,3 SPEEDS (VAR.330278-332278 / 743509)
1.28.1/02	01	HI-LO GEAR BOX GEARING - CLUTCH SHAFT (VAR.330275-331275 / 743510; VAR.330273)
1.28.1/02	02	HI-LO GEAR BOX GEARING - DRIVING GEAR SHAFT (VAR.330275-331275 / 743510; VAR.330273)
1.28.1/02	03	HI-LO GEAR BOX GEARING - REVERSER GEAR, 4 SPEEDS (VAR.330275-331275 / 743510; VAR.330273)
1.28.1/02	04	HI-LO GEAR BOX GEARING - GEARS, 1,2,3 SPEEDS (VAR.330275-331275 / 743510; VAR.330273)
1.28.1/03	01	SPLITTER 32X16 - CLUTCH SHAFT, GEARS AND SYNCH (VAR.330118 / 743508)
1.28.1/03	02	SPLITTER 32X16 FORK, ROD AND PAWL (VAR.330118 / 743508)
1.28.1/04	01	28X16 FOR 16X16 MECHANICAL TRANSMISSION WITH CREEPER - CLUTCH SHAFT (VAR.330111)
1.28.1/04	02	28X16 FOR 16X16 MECHANICAL TRANSMISSION WITH CREEPER - GEAR AND FORK (VAR.330111)
1.28.1/05		PARKING LOCK (FOR HI-LO 44+16 FOR CREEPER) - CREEPER GEARSHIFT MECHANISM (VAR.333286 / 743968)
1.28.7		DRIVE GEAR SHAFT AND DRIVEN GEARS
1.28.7/01	01	16X16 HYDR. TRANSM. WITH SYNCHRO GEARS AND POWER SHUTTLE - CLUTCH HOUSING PAN (VAR.330278-332278 / 743509)
1.28.7/01	02	16X16 HYDR. TRANSMISSION WITH SYNCHRO GEARS AND POWER SHUTTLE - CLUTCH PLATES (VAR.330278-332278 / 743509)
1.28.7/01	03	16X16 HYDR. TRANSM. WITH SYNCHRO GEARS AND POWER SHUTTLE - CLUTCH PLATE HUBS (VAR.330278-332278 / 743509)
1.28.7/01	04	16X16 HYDR. TRANSMISSION WITH SYNCHRO GEARS AND POWER SHUTTLE - DRIVING SHAFT (VAR.330278-332278 / 743509)
1.28.7/02	01	32X16 HI-LO AND POWER SHUTTLE TRANSMISSION - CLUTCH HOUSING PAN (VAR.330275-331275 / 743510; VAR.330273)
1.28.7/02	02	32X16 HI-LO AND POWER SHUTTLE TRANSMISSION - CLUTCH PLATES (VAR.330275-331275 / 743510; VAR.330273)
1.28.7/02	03	32X16 HI-LO AND POWER SHUTTLE TRANSMISSION - CLUTCH PLATE HUBS (VAR.330275-331275 / 743510; VAR.330273)
1.28.7/02	04	32X16 HI-LO AND POWER SHUTTLE TRANSMISSION - DRIVING SHAFT (VAR.330275-331275 / 743510; VAR.330273)
1.28.7/03	01	32X16 HI-LO AND POWER SHUTTLE TRANSMISSION WITH CREEPER - GEARBOX HYDRAULIC CONTROL (VAR.335111)
1.28.7/03	02	32X16 HI-LO AND POWER SHUTTLE TRANSMISSION WITH CREEPER - CREEPER GEARSHIFT MECHANISM (VAR.335111)
1.28.8/ A		16-BAR VALVE - PARTS - 2WD
1.28.8/01	01	GEARBOX LUBRICATION PIPES AND OIL FILTER - L/CAB
1.28.8/01	02	GEARBOX LUBRICATION PIPES AND OIL FILTER - W/CAB

TABLE OF CONTENTS

1.28.8/01	03	REVERSER LUBRICATION PIPE AND RELEVANT PARTS
1.28.8/02		TRACTION SELECTION WITH HYDRAULIC TRANSMISSION - GEARBOX LUBRICATION PIPES AND OIL FILTER (VAR.337401-338401 / 743514; VAR.331281-332281)
1.29.0		GEARBOX INNER CONTROLS, RODS AND FORKS
1.29.0/01		16X16 HYDR. TRANSM. WITH SYNCHRO GEARS AND POWER SHUTTLE - INTERNAL CONTROLS (VAR.330278-332278 / 743509)
1.29.1		GEARBOX OUTER CONTROLS, REDUCTION UNIT GEAR BOX LEVER, REVERSER ROD
1.29.1/01		GEARBOX OUTER CONTROLS, REDUCTION UNIT GEAR BOX LEVER, REVERSER ROD - NA
1.32.1	01	CENTRAL REDUCTION GEARS AND BEVEL GEAR PAIR
1.32.1	02	CENTRAL REDUCTION GEARS AND BEVEL GEAR PAIR
1.32.2		MAIN REDUCTION UNIT CONTROLS, COUPLING RODS AND FORKS
1.32.4		DIFFERENTIAL GEARS
1.32.6		REAR HYDRAULIC DIFF. LOCK WITH ELECTRO - HYDR. ENGAGEMENT - LOCK, DIFFERENTIAL
1.32.6/01		REAR MECHANICAL DIFFERENTIAL LOCK - LEVER (VAR.330387-334387 / 743511)
1.32.7		REAR MECHANICAL DIFFERENTIAL LOCK - CONTROL LEVERS AND ROD (VAR.330387-334387 / 743511)
1.32.8		4WD DIFFERENTIAL LOCK PIPES
1.33.0		4WD IDLER CASE AND COVERS
1.33.1	01	TRANSMISSION GEARS - 4WD, DRIVE SHAFT
1.33.1	02	TRANSMISSION GEARS - 4WD, DRIVEN GEAR AND SLIDING SLEEVE
1.33.1	03	TRANSMISSION GEARS - 4WD, DELIVERY UNION
1.33.2	01	SOLENOID VALVE AND CAPS
1.33.2	02	VALVE SUPPORT AND CAPS
1.38.5	01	4WD FRONT AXLE PROPELLER SHAFT
1.38.5	02	4WD FRONT AXLE PROPELLER SHAFT SHIELD
1.40.0/01		SUPERSTEER FRONT AXLE WITH ELECTROHYDR. DIFF. LOCK LESS FRONT BRAKES (40 KM/H) - BOX
1.40.0/02	01	SUPERSTEER FRONT AXLE WITH ELECTROHYDR. DIFF. LOCK LESS FRONT BRAKES (40 KM/H) - STEERING KNUCKLE
1.40.0/02	02	SUPERSTEER FRONT AXLE WITH ELECTROHYDR. DIFF. LOCK LESS FRONT BRAKES (40 KM/H) - STEERING KNUCKLE
1.40.0/03		SUPERSTEER FRONT AXLE WITH ELECTROHYDR. DIFF. LOCK LESS FRONT BRAKES (40 KM/H) - HUB
1.40.0/05		SUPERSTEER FRONT AXLE WITH ELECTROHYDR. DIFF. LOCK LESS FRONT BRAKES (40 KM/H) - SUPPORT
1.40.0/06	01	SUPERSTEER FRONT AXLE WITH ELECTROHYDR. DIFF. LOCK LESS FRONT BRAKES (40 KM/H) - BEVEL GEAR PAIR
1.40.0/06	02	SUPERSTEER FRONT AXLE WITH ELECTROHYDR. DIFF. LOCK LESS FRONT BRAKES (40 KM/H) - ADJUSTING SHIMS
1.40.0/06	03	SUPERSTEER FRONT AXLE WITH ELECTROHYDR. DIFF. LOCK LESS FRONT BRAKES (40 KM/H) - ADJUSTING SHIMS
1.40.0/07		SUPERSTEER FRONT AXLE WITH ELECTROHYDR. DIFF. LOCK LESS FRONT BRAKES (40 KM/H) - DIFFERENTIAL

TABLE OF CONTENTS

1.40.0/08	01	SUPERSTEER FRONT AXLE WITH ELECTROHYDR. DIFF. LOCK LESS FRONT BRAKES (40 KM/H) - SLEEVES & HOUSING
1.40.0/08	02	SUPERSTEER FRONT AXLE WITH ELECTROHYDR. DIFF. LOCK LESS FRONT BRAKES (40 KM/H) - PIPES
1.40.0/10	01	SUPERSTEER FRONT AXLE WITH ELECTROHYDR. DIFF. LOCK LESS FRONT BRAKES (40 KM/H) - AXLE-SHAFT ARTICUL.
1.40.0/10	02	SUPERSTEER FRONT AXLE WITH ELECTROHYDR. DIFF. LOCK LESS FRONT BRAKES (40 KM/H) - GEARS AND SHAFT
1.40.0/10A		AXLE-SHAFT ARTICULATED - BREAKDOWN
1.40.0/12	01	SUPERSTEER FRONT AXLE WITH ELECTROHYDR. DIFF. LOCK LESS FRONT BRAKES (40 KM/H) - HYDRAULIC CYLINDER
1.40.0/12	02	SUPERSTEER FRONT AXLE WITH ELECTROHYDR. DIFF. LOCK LESS FRONT BRAKES (40 KM/H) - PIPES
1.40.0/12A		HYDRAULIC CYLINDER - BREAKDOWN
1.40.1/01		40KM/H BEVEL GEAR PAIR WITH FRONT BRAKE - BOX & RELATED PARTS (VAR.337144)
1.40.1/02		40KM/H BEVEL GEAR PAIR WITH FRONT BRAKE - STEERING KNUCKLE (VAR.337144)
1.40.1/03		40KM/H BEVEL GEAR PAIR WITH FRONT BRAKE - HUB (VAR.337144)
1.40.1/05		40KM/H BEVEL GEAR PAIR WITH FRONT BRAKE - SUPPORT (VAR.337144)
1.40.1/07		40KM/H BEVEL GEAR PAIR WITH FRONT BRAKE - DIFFERENTIAL (VAR.337144)
1.40.1/08	01	40KM/H BEVEL GEAR PAIR WITH FRONT BRAKE - HYDRAULIC DIFF. LOCK CONTROL (VAR.337144)
1.40.1/08	02	40KM/H BEVEL GEAR PAIR WITH FRONT BRAKE - HYDRAULIC DIFF. LOCK CONTROL (VAR.337144)
1.40.1/10	01	40KM/H BEVEL GEAR PAIR WITH FRONT BRAKE - GEARS AND DIFFERENTIAL SHAFT (VAR.337144)
1.40.1/10	02	40KM/H BEVEL GEAR PAIR WITH FRONT BRAKE - GEARS AND DIFFERENTIAL SHAFT (VAR.337144)
1.40.1/10A		FRONT AXLE - SHAFT
1.40.1/13	01	40KM/H BEVEL GEAR PAIR WITH FRONT BRAKE - FRONT BRAKE (VAR.337144)
1.40.1/13	02	40KM/H BEVEL GEAR PAIR WITH FRONT BRAKE - FRONT BRAKE (VAR.337144)
1.40.2/03		40KM/H BEVEL GEAR PAIR WITHOUT FRONT BRAKE FOR 20" TYRES - HUB (VAR.338144)
1.40.2/07	01	40KM/H BEVEL GEAR PAIR WITHOUT FRONT BRAKE FOR 20" TYRES - FRONT BEVEL GEAR PAIR (VAR.338144)
1.40.2/07	02	40KM/H BEVEL GEAR PAIR WITHOUT FRONT BRAKE FOR 20" TYRES - DIFFERENTIAL (VAR.338144)
1.40.2/10	01	40KM/H BEVEL GEAR PAIR WITHOUT FRONT BRAKE FOR 20" TYRES - GEARS AND DIFFERENTIAL SHAFT (VAR.338144)
1.40.2/10	02	40KM/H BEVEL GEAR PAIR WITHOUT FRONT BRAKE FOR 20" TYRES - GEARS AND DIFFERENTIAL SHAFT (VAR.338144)
1.40.2/10A		FRONT AXLE - SHAFT
1.40.3/06		30KM/H BEVEL GEAR PAIR WITHOUT FRONT BRAKE - FRONT BEVEL GEAR PAIR (VAR.335145)
1.40.4/02		30KM/H BEVEL GEAR PAIR WITH FRONT BRAKE - STEERING KNUCKLE (VAR.337145)
1.40.4/03		30KM/H BEVEL GEAR PAIR WITH FRONT BRAKE - HUB (VAR.337145)
1.40.4/07		30KM/H BEVEL GEAR PAIR WITH FRONT BRAKE - DIFFERENTIAL (VAR.337145)
1.40.4/10	01	30KM/H BEVEL GEAR PAIR WITH FRONT BRAKE - GEARS AND DIFFERENTIAL SHAFT (VAR.337145)
1.40.4/10	02	30KM/H BEVEL GEAR PAIR WITH FRONT BRAKE - GEARS AND DIFFERENTIAL SHAFT (VAR.337145)

TABLE OF CONTENTS

1.40.4/13	01	30KM/H BEVEL GEAR PAIR WITH FRONT BRAKE - FRONT BRAKE (VAR.337145)
1.40.4/13	02	30KM/H BEVEL GEAR PAIR WITH FRONT BRAKE - FRONT BRAKE (VAR.337145)
1.40.5/05		30KM/H BEVEL GEAR PAIR WITHOUT DIFFERENTIAL LOCK - SUPPORT (VAR.330146)
1.40.5/06		30KM/H BEVEL GEAR PAIR WITHOUT DIFFERENTIAL LOCK - FRONT BEVEL GEAR PAIR (VAR.330146)
1.40.5/07		30KM/H BEVEL GEAR PAIR WITHOUT DIFFERENTIAL LOCK - MECHANICAL DIFFERENTIAL LOCKING (VAR.330146)
1.40.5/10	01	30KM/H BEVEL GEAR PAIR WITHOUT DIFFERENTIAL LOCK - GEARS AND DIFFERENTIAL SHAFT (VAR.330146)
1.40.5/10	02	30KM/H BEVEL GEAR PAIR WITHOUT DIFFERENTIAL LOCK - GEARS AND DIFFERENTIAL SHAFT (VAR.330146)
1.40.5/10A		AXLE-SHAFT ARTICULATED BREAKDOWN
1.40.6/12	01	FRONT HPL AND FRONT P.T.O. - HYDRAULIC STEERING CYLINDER (VAR.332144-333144)
1.40.6/12	02	FRONT HPL AND FRONT P.T.O. - PIPES (VAR.332144-333144)
1.41.0	01	2WD FRONT AXLE - AXLE BODY, END (VAR.331581-332581 / 743515)
1.41.0	02	2WD FRONT AXLE - BALL FUSE AND HUBS (VAR.331581-332581 / 743515)
1.41.0	03	2WD FRONT AXLE - STEERING ROD & PIPES (VAR.331581-332581 / 743515)
1.41.0/ A		2WD HYDRAULIC STEERING CYLINDER
1.41.0/ B		TRANSVERSAL STEERING TIE-ROD
1.42.0		HYDRAULIC PUMP
1.42.0/ B		HYDRAULIC PUMP - BREAKDOWN
1.42.0/ D		HYDRAULIC PUMP - BREAKDOWN
1.44.0		FRONT SUPPORT AND WEIGHTS WITH 6 LIGHT PLATES (150KG) (2WD) (VAR.332226 / 743505)
1.44.0/01		FRONT SUPPORT AND WEIGHTS WITH 6 HEAVY PLATES (240KG) (2WD) (VAR.331226 / 743506)
1.44.0/02		FRONT SUPPORT AND WEIGHTS WITH 6 HEAVY PLATES (240KG) (VAR.334226 / 743506)
1.44.0/03		FRONT SUPPORT AND WEIGHTS WITH 6 LIGHT PLATES (150KG) (4WD) (VAR.333226 / 743505)
1.48.1	01	DRIVING WHEEL SHAFT
1.48.1	02	DRIVING WHEEL SHAFT SHIMS
1.48.1	03	FINAL DRIVE, GEARS AND SHAFTS
1.48.2		4 REAR BALLAST (50KG) (VAR.330470)
1.48.2/01		6 REAR BALLAST (32KG) (VAR.330471)
1.65.3		PARKING BRAKE SYSTEM
1.65.5		PARKING BRAKE
1.65.5/01	01	PARKING LOCK (FOR HI-LO 32+16) (VAR.331286 / 743968)
1.65.5/01	02	PARKING LOCK (FOR HI-LO 32+16) (VAR.331286 / 743968)
1.65.5/02	01	PARKING LOCK (FOR HI-LO 44+16 FOR CREEPER) (VAR.333286 / 743968)
1.65.5/02	02	PARKING LOCK (FOR HI-LO 44+16 FOR CREEPER) (VAR.333286 / 743968)

TABLE OF CONTENTS

1.65.5/03		LESS PARKING LOCK
1.65.6		PARKING LOCK (VAR.331286-333286 / 743968)
1.67.2		HANDBRAKE CONTROL
1.68.2		BRAKING SYSTEM TANK
1.68.5	01	BRAKE PIPING
1.68.5	02	BRAKE PIPING
1.68.5/01	01	4WD FRONT AXLE WITH BRAKES - PIPES (VAR.337144-337145)
1.68.5/01	02	4WD FRONT AXLE WITH BRAKES - PIPES (VAR.337144-337145)
1.68.5/02	01	PARKING LOCK (FOR HI-LO 32+16) (VAR.331286 / 743968)
1.68.5/02	02	PARKING LOCK (FOR HI-LO 32+16) (VAR.331286 / 743968)
1.68.5/02	03	PARKING LOCK (FOR HI-LO 32+16) (VAR.331286 / 743968)
1.68.5/02	04	PARKING LOCK (FOR HI-LO 32+16) (VAR.331286 / 743968)
1.68.5/02A		PARKING LOCK (FOR HI-LO 32+16) (VAR.331286 / 743968)
1.68.5/03	01	PARKING LOCK (FOR HI-LO 44+16 FOR CREEPER) (VAR.333286 / 743968)
1.68.5/03	02	PARKING LOCK (FOR HI-LO 44+16 FOR CREEPER) (VAR.333286 / 743968)
1.68.5/03	03	PARKING LOCK (FOR HI-LO 44+16 FOR CREEPER) (VAR.333286 / 743968)
1.68.5/03	04	PARKING LOCK (FOR HI-LO 44+16 FOR CREEPER) (VAR.333286 / 743968)
1.68.5/03A		PARKING LOCK (FOR HI-LO 44+16 FOR CREEPER) (VAR.333286 / 743968)
1.74.3	01	BATTERY MOUNTING - END YR 17-APR-2012
1.74.3	01A	BATTERY MOUNTING - BEGIN YR 18-APR-2012
1.74.3/01		NA PACKAGE - BATTERY MOUNTING (VAR.330007)
1.75.0		ELECTRIC CONTROLS
1.75.1		SUPERSTEER FRONT AXLE - ELECTRONIC CONTROL MODULE
1.75.1/01		16X16 HYDR. TRANSM. WITH SYNCHRO GEARS AND POWER SHUTTLE - ELECTR. CONTROL UNIT (VAR.330278-332278 / 743509)
1.75.1/02		32X16 HI-LO AND POWER SHUTTLE TRANSMISSION - ELECTR. CONTROL UNIT (VAR.330275-331275 / 743510; VAR.330273)
1.75.1/03		ELECTRONIC MID MOUNTED VALVES - JOYSTICK AND SWITCHES
1.75.3	01	BATTERY CABLES
1.75.3/01		BATTERY CABLES WITHOUT MECHANICAL BATTERY ISOLATOR (VAR.338798)
1.75.4	01	ENGINE HARNESS
1.75.4	02	TRANSMISSION HARNESS
1.75.4	03	AUXILIARY CABLES
1.75.4	04	MAIN HARNESS - L/CAB
1.75.4/ A		MAIN CABLE - FUSE AND RELAIS HOLDER - BREAKDOWN

TABLE OF CONTENTS

1.75.4/01		TRAILER BRAKE VALVE (ITALY) - CABLES (VAR.333372-334372-335372-336372-337372 / 743517)
1.75.4/02	02	AIR HEATER ENGINE STARTING AID - HEATER, CABLES AND BRACKETS (VAR.334206)
1.75.4/03		POWER SHUTTLE - CABLES (VAR.330275-331275 / 743510; VAR.330278-332278 / 743509 ; VAR.330273)
1.75.4/04		ISO ELECTRIC CONTROLS MULTIPOLE CONNECTION (VAR.331745)
1.75.4/05		NA - ELECTRIC CONTROLS, MULTIPOLE CONNECTION (VAR.332745)
1.75.4/06		DIGITAL INSTRUMENT CABLE - L/CAB (VAR.330737-335737)
1.75.4/07		HYDRAULIC RIGHT LIFTING ROD - ELECTRICAL CABLE (VAR.331965-332965-335965-336965-337965-338965-331965-332965-330966-331966-332966-335966-336966 / 743536)
1.75.4/08		NA PACKAGE - AUXILIARI CABLES (VAR.330007)
1.75.4/09		FRONT HPL AND FRONT PTO - CABLES (VAR.334848-335848 / 743521)
1.75.4/10		MAIN HARNESS WITHOUT MECHANICAL BATTERY ISOLATOR - L/CAB
1.75.4/11		ELECTRONIC MID MOUNTED VALVES - HARNESS
1.75.4/12		ELECTRONIC MID MOUNTED VALVES - ELECTRONIC CONTROL MODULE
1.75.6	01	FRONT HEADLAMPS, TURN INDICATOR AND REAR REFLECTOR
1.75.6	02	REAR WORKLAMPS AND REAR LAMPS
1.75.6/01		NA PACKAGE- RETROREFLECTOR SUPPORT (VAR.331964)
1.75.6/02		VERTICAL MUFFLER - LIGHTING COMPONENTS - W/CAB (VAR.330151-331151)
1.80.1	01	POWER TAKE-OFF (540 RPM) - SHAFTS AND GEARS
1.80.1	02	POWER TAKE-OFF (540 RPM) - SHAFTS AND REAR GUARD
1.80.1/01	01	POWER TAKE-OFF (540-540E RPM) LESS GROUND SPEED - SHAFTS AND GEARS (VAR.333804)
1.80.1/01	02	POWER TAKE-OFF (540-540E RPM) LESS GROUND SPEED - COUPLING LEVER AND FORK (VAR.333804)
1.80.1/01	03	POWER TAKE-OFF (540-540E RPM) LESS GROUND SPEED - SHAFTS AND REAR GUARD (VAR.333804)
1.80.1/02	01	POWER TAKE-OFF (540-540E RPM) WITH GROUND SPEED - SHAFTS AND GEARS (VAR.330804-332804 / 743519)
1.80.1/02	02	POWER TAKE-OFF (540-540E RPM) WITH GROUND SPEED - COUPLING LEVER AND FORK (VAR.330804-332804 / 743519)
1.80.1/02	03	POWER TAKE-OFF (540-540E RPM) WITH GROUND SPEED - SHAFTS AND REAR GUARD (VAR.330804-332804 / 743519)
1.80.1/02	04	POWER TAKE-OFF (540-540E RPM) WITH GROUND SPEED -SHAFTS AND GEARS (VAR.330804-332804 / 743519)
1.80.1/02	05	POWER TAKE-OFF (540-540E RPM) WITH GROUND SPEED - COUPLING (VAR.330804-332804 / 743519)
1.80.1/02	06	POWER TAKE-OFF (540-540E RPM) WITH GROUND SPEED - COUPLING LEVER (VAR.330804-332804 / 743519)
1.80.1/03	01	POWER TAKE-OFF (540-540E-1000 RPM) WITH GROUND SPEED - SHAFTS AND GEARS (VAR.330817)
1.80.1/03	02	POWER TAKE-OFF (540-540E-1000 RPM) WITH GROUND SPEED - SHAFTS AND GEARS (VAR.330817)
1.80.1/03	03	POWER TAKE-OFF (540-540E-1000 RPM) WITH GROUND SPEED - SHAFTS AND REAR GUARD (VAR.330817)
1.80.1/03	04	POWER TAKE-OFF (540-540E-1000 RPM) WITH GROUND SPEED - COUPLING LEVER AND FORK (VAR.330817)

TABLE OF CONTENTS

1.80.1/03	05	POWER TAKE-OFF (540-540E-1000 RPM) WITH GROUND SPEED - COUPLING (VAR.330817)
1.80.1/03	06	POWER TAKE-OFF (540-540E-1000 RPM) WITH GROUND SPEED - COUPLING LEVER (VAR.330817)
1.80.1/04	01	POWER TAKE-OFF (540-1000 RPM) - NA - SHAFTS AND GEARS (VAR.330808)
1.80.1/04	02	POWER TAKE-OFF (540-1000 RPM) - NA - SHAFTS AND REAR GUARD (VAR.330808)
1.80.1/04	03	POWER TAKE-OFF (540-1000 RPM) - NA - COUPLING LEVER AND FORK (VAR.330808)
1.80.1/05	01	FRONT HPL AND FRONT PTO - FRONT PTO SHAFT AND GUARD (VAR.332144-333144)
1.80.1/05	02	FRONT HPL AND FRONT PTO - ELECTROMAGNETIC CLUTCH (VAR.332144-333144)
1.80.1/05	03	FRONT HPL AND FRONT PTO - HOUSING AND DRIVE SHAFT (VAR.332144-333144)
1.80.1/05	04	FRONT HPL AND FRONT PTO - COUPLING FORK (VAR.332144-333144)
1.80.1/05A		BALL JOINT - BREAKDOWN
1.80.4	01	PTO ENGAGEMENT CLUTCH - SERVOCONTROL
1.80.4	02	PTO ENGAGEMENT CLUTCH - PIPES
1.80.4/ A		PTO CLUTCH CONTROL ACTUATOR CYLINDER - BREAKDOWN
1.80.4/01	01	ELECTRONIC MID MOUNTED VALVES - PTO ENGAGEMENT CLUTCH - SERVOCONTROL
1.80.4/01	02	ELECTRONIC MID MOUNTED VALVES - PTO ENGAGEMENT CLUTCH - PIPES
1.80.4/01	03	ELECTRONIC MID MOUNTED VALVES - PTO CLUTCH CONTROL ACTUATOR CYLINDER - BREAKDOWN
1.80.4/02	01	2 MID MOUNT PIPES, 4 COUPLERS - PTO ENGAGEMENT CLUTCH - SERVOCONTROL - L/CAB (VAR.330119)
1.80.4/02	02	2 MID MOUNT PIPES, 4 COUPLERS - PTO ENGAGEMENT CLUTCH - PIPES - L/CAB (VAR.330119)
1.80.4/02	03	2 MID MOUNT PIPES, 4 COUPLERS - PTO CLUTCH CONTROL ACTUATOR CYLINDER - BREAKDOWN - L/CAB (VAR.330119)
1.82.0		LIFTER, HOUSING AND COVERS
1.82.0/01		LIFTER, HOUSING AND COVERS (VAR.334565-334578 / 744833)
1.82.1/01	01	LIFTER, LINES
1.82.1/01	02	LIFTER, LINES
1.82.1/01	03	OIL FILTER, PRESSURE RELIEF VALVE, SUPPORTS AND PIPES
1.82.1/01	04	DELIVERY PIPE TO STEERING MOTOR
1.82.1/02		PIPE FROM TRAILER BRAKE VALVE TO MID MOUNT VALVES
1.82.1/03		LIFTER LINES FOR REGULATION VALVE
1.82.1/04		FRONT HPL AND FRONT PTO - CYLINDER AND PIPES (VAR.332144-333144)
1.82.1/05		ELECTRONIC MID MOUNTED VALVES - PIPES
1.82.1/06		ELECTRONIC MID MOUNTED VALVES - PIPES
1.82.1/07	01	2 MID MOUNT PIPES, 4 COUPLERS - REAR PIPES - L/CAB (VAR.330119)
1.82.1/07	02	2 MID MOUNT PIPES, 4 COUPLERS - MIDDLE PIPES - L/CAB (VAR.330119)
1.82.1/08		LIFTER, LINES (VAR.334565-334578 / 744833)

TABLE OF CONTENTS

1.82.4	01	LIFTER DISTRIBUTOR AND VALVES BREAKDOWN
1.82.4	02	LIFTER DISTRIBUTOR AND VALVES BREAKDOWN
1.82.4	03	LIFTER DISTRIBUTOR AND VALVES BREAKDOWN
1.82.4	04	LIFTER DISTRIBUTOR AND VALVES BREAKDOWN
1.82.4/01		ELECTRONIC LIFT - VALVE AND RELEVANT PARTS (VAR.331832-332832 / 743523)
1.82.4/01A		ELECTRONIC LIFT - VALVE AND RELEVANT COMPONENTS.
1.82.5	01	HYDRAULIC LIFT OUTER AND INNER CONTROLS
1.82.5	02	HYDRAULIC LIFT OUTER AND INNER CONTROLS
1.82.5	03	HYDRAULIC LIFT OUTER AND INNER CONTROLS
1.82.5	04	HYDRAULIC LIFT OUTER AND INNER CONTROLS
1.82.5	05	HYDRAULIC LIFT OUTER AND INNER CONTROLS
1.82.5	06	HYDRAULIC LIFT OUTER AND INNER CONTROLS
1.82.5/01		ELECTRONIC LIFT - LIFT CONTROLS. (VAR.331832-332832 / 743523)
1.82.5/02	01	HYDRAULIC LIFT OUTER AND INNER CONTROLS (VAR.334565-334578 / 744833)
1.82.5/02	02	HYDRAULIC LIFT OUTER AND INNER CONTROLS (VAR.334565-334578 / 744833)
1.82.5/02	03	HYDRAULIC LIFT OUTER AND INNER CONTROLS (VAR.334565-334578 / 744833)
1.82.5/02	04	HYDRAULIC LIFT OUTER AND INNER CONTROLS (VAR.334565-334578 / 744833)
1.82.5/02	05	HYDRAULIC LIFT OUTER AND INNER CONTROLS (VAR.334565-334578 / 744833)
1.82.5/02	06	HYDRAULIC LIFT OUTER AND INNER CONTROLS (VAR.334565-334578 / 744833)
1.82.6		HYDRAULIC LIFT INNER CYLINDER
1.82.7	01	2 REAR REMOTES FOR MDC - REMOTE VALVES
1.82.7	02	2 REAR REMOTES FOR MDC - RELATED PARTS
1.82.7	03	2 REAR REMOTES FOR MDC - BRACKETS, UNION AND QUICK COUPLING
1.82.7/ A	01	SIMPLE DOUBLE EFFECT DISTRIBUTOR WITH FLOAT AND AUTOMATIC CUTOUT - BREAKDOWN
1.82.7/ A	02	SIMPLE DOUBLE EFFECT DISTRIBUTOR WITH FLOAT AND AUTOMATIC CUTOUT - BREAKDOWN
1.82.7/ A	03	SIMPLE DOUBLE EFFECT DISTRIBUTOR WITH FLOAT AND AUTOMATIC CUTOUT - BREAKDOWN
1.82.7/ B	01	SIMPLE DOUBLE EFFECT DISTRIBUTOR - BREAKDOWN
1.82.7/ B	02	SIMPLE DOUBLE EFFECT DISTRIBUTOR - BREAKDOWN
1.82.7/01	01	2 REAR REMOTES FOR EDC - REMOTE VALVES - W/CAB
1.82.7/01	02	2 REAR REMOTES FOR EDC - RELATED PARTS - W/CAB
1.82.7/01	03	2 REAR REMOTES FOR EDC - BRACKETS, UNION AND QUICK COUPLING - W/CAB
1.82.7/02	01	THREE CONTROL VALVES - FLANGE AND SIDE PANEL (VAR.330390 / 743525)
1.82.7/02	02	THREE REMOTE VALVES & FLOW-RATE REGULATOR - PIPES AND RINGS (VAR.330390 / 743525)
1.82.7/02A		FLOW-RATE REGULATOR - BREAKDOWN

**Thanks very much for your reading,
Want to get more information,
Please click here, Then get the complete
manual**

JustClickHere 

NOTE:

**If there is no response to click on the link above,
please download the PDF document first, and then
click on it.**

**Have any questions please write to me:
admin@servicemanualperfect.com**